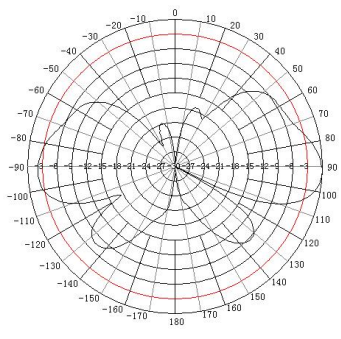




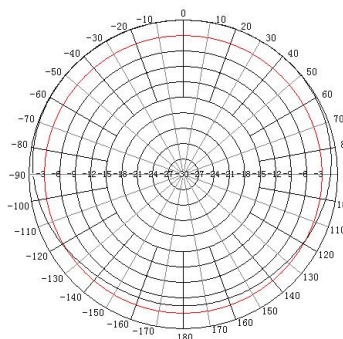
**TerraWave Solutions® 802.11n 2.4/5 GHz 6 dBi Outdoor  
Dual Band Diversity Antenna with RPSMA Plug Connectors**

TerraWave’s 6 dBi outdoor quad omnidirectional antenna offers a four-in-one solution: two diversity antennas in a single unit. This antenna features two integrated 2.4 GHz 6 dBi elements and two 5 GHz 6 dBi elements arranged in one enclosure. The rugged enclosure makes this antenna perfectly suited for use in a warehouse or manufacturing environment where it must withstand exposure to moisture and dust. Includes an L-Bracket for mast mounting and a convenient beam clamp. Every TerraWave antenna is covered by the Company’s two-year TerraNet warranty program. For questions and to purchase product, contact a wireless networking solutions sales engineer at 210-375-8482, 800-851-4965 or sales @terrawave.com. Visit www.terrawave.com for additional information.

Specifications	
Model	M6060060O236200
Frequency Range	2400~2500 / 5150~5850 MHz
Bandwidth	100 / 700 MHz
Gain	6 dBi
Vertical Beamwidth	40°
Horizontal Beamwidth	360°
VSWR	≤ 1.5 / ≤ 2.0
Nominal Impedance	50 Ohms
Polarization	Vertical
Isolation	≥ 25 dB
Electrical Downtilt	≤ 5°
Max Power	20 Watts
Connector	RPSMA Plug with 36" Pigtail
Dimensions	Ø6.0" x 7.1"
Weight	3.18 lbs
Mast Mount Diameter	Ø1.57" ~ Ø1.97"
Operating Temperature Range	-22°F ~ +158°F
Wind Load	134 mph

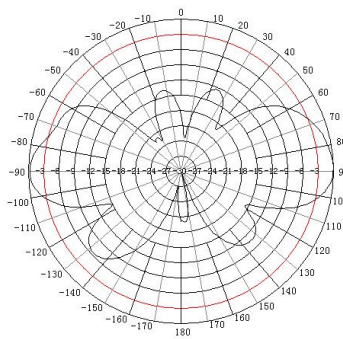


E-Plane Pattern

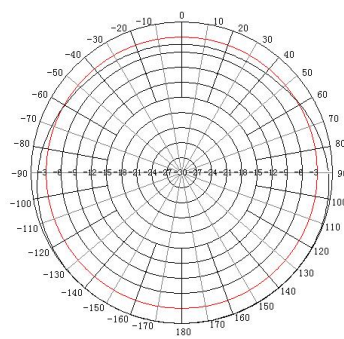


H-Plane Pattern

2.4 GHz



E-Plane Pattern



H-Plane Pattern

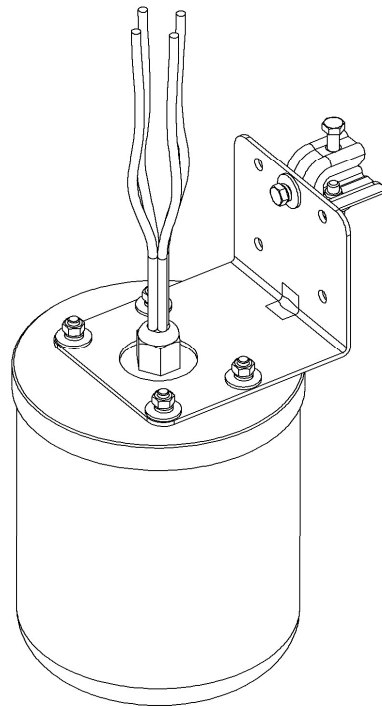
5 GHz



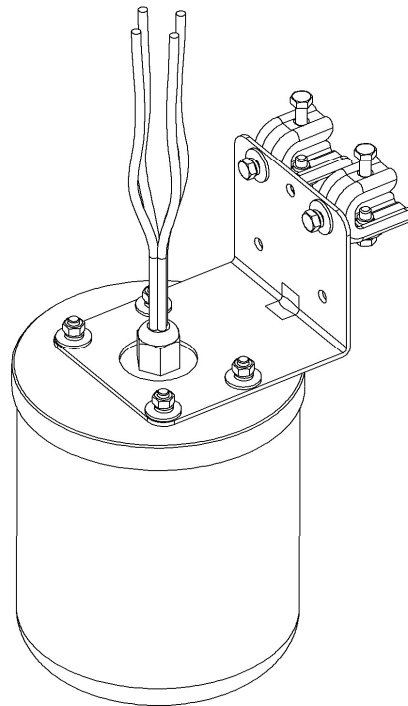
**TerraWave Solutions® 802.11n 2.4/5 GHz 6 dBi Outdoor  
Dual Band Diversity Antenna with RPSMA Plug Connectors**

**Mounting Information for M6060060O236200**

**Single Beam Clamp**



**Double Beam Clamp**



**Antenna Mounted to Pole**

