

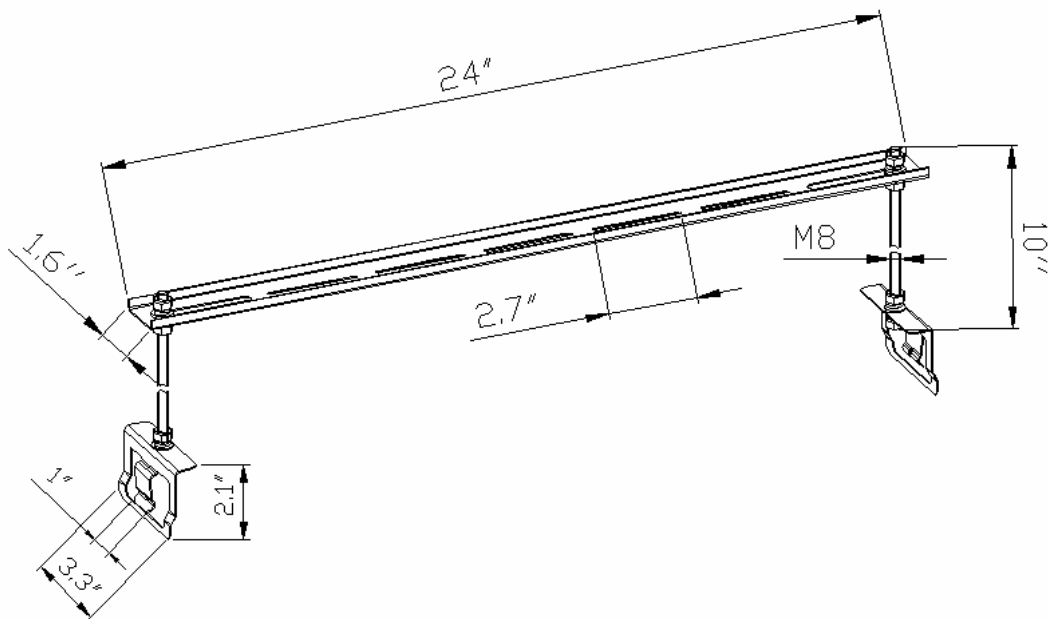


TerraWave Solutions® Above Ceiling Tile Mounting Bracket

TerraWave's Above Ceiling Tile Mounting bracket is designed to securely mount equipment, such as WLAN access points (APs), up above a ceiling tile grid. Includes 10" long bolts to conveniently and securely mount APs with integrated antennas upside down for optimal signal coverage. Additionally, this above ceiling tile mount is an excellent method to mount APs being deployed with rubber ducks above a ceiling tile for a virtually hidden WLAN. Each mounting bracket is covered by the Company's two TerraNet warranty program. For questions and to purchase product, contact a wireless networking solutions sales engineer at 210-375-8482, 800-851-4965 or sales@terrawave.com. For additional information, visit www.terrawave.com.

Mounting Bracket Features & Specifications:

- TerraWave Model: TW-AC-BKT-L
- Rugged mounting bar is made from an electrolysis plate and includes slotted holes
- Mounting bar is sturdy to support weight of wireless equipment
- Includes 10" long bolts to suspend the equipment above the ceiling
- Includes bolts with fly nuts to secure equipment to mounting bar
- Includes extra-wide mounting clips for stability



TerraWave's Above Ceiling Tile Mounting Bracket can support and mount any TerraWave's Above Ceiling Tile Antenna or, optionally, an Above Ceiling Tile Antenna and the AP the antenna operates with.