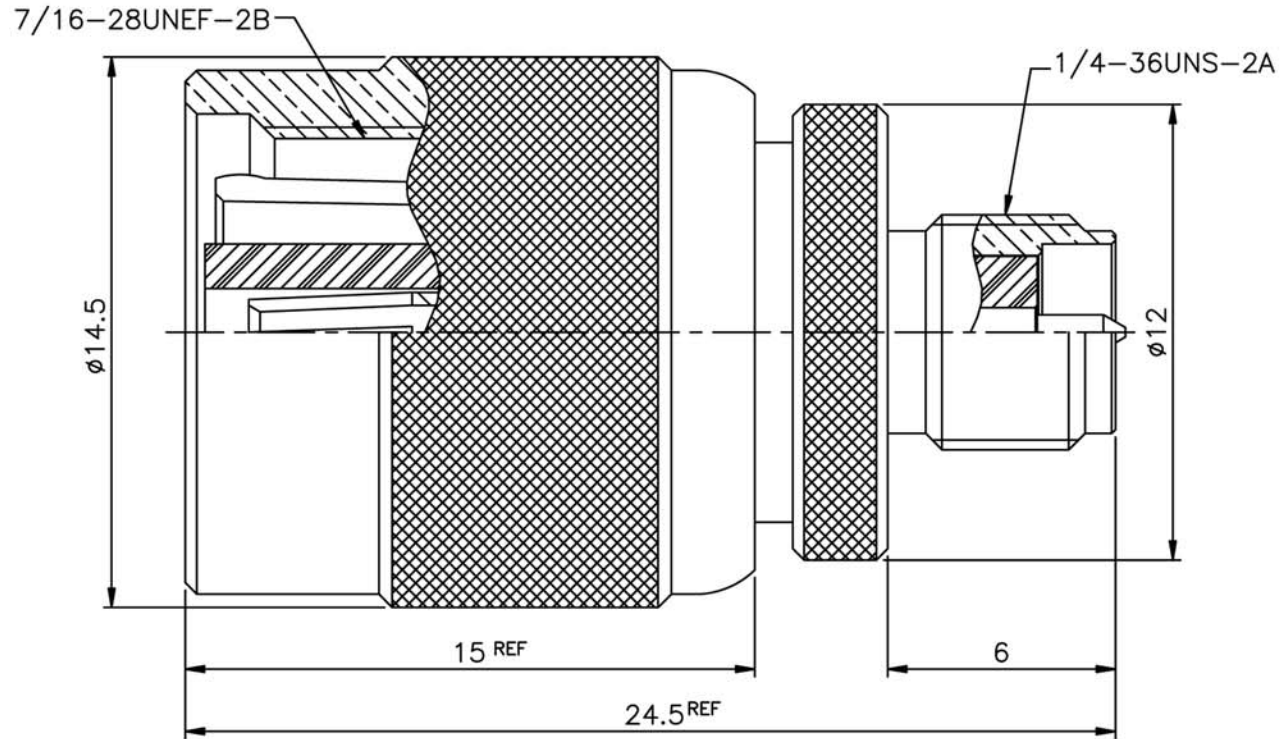


REVISIONS

ISS	SYMBOL	DESCRIPTION\DATE

REMARK: RoHS COMPLIANT

FOR CUSTOMER



NOTES: FINISH (PLATING THICKNESS IN MICRO-INCHES)

1. BRASS PER QQ-B-626
2. NICKEL PL 70 MIN THICK OVER COPPER STRIKE
3. GOLD PL 3 MIN OVER NICKEL PL 70 MIN THICK OVER COPPER STRIKE
4. TEFLON MIL-P-19468
5. PHOSPHOR BRONZE PER QQ-B-750

NO.	DESCRIPTION	MATERIAL	FINISH	Q'TY	DRAWING NO.	SCALE	5/1	ISSUE	A1				
	SHELL	NOTE 1	NOTE 2										
	GASKET	SILICONE	RED										
	C RING	SS41	NOTE 2										
	WASHER	DELTRIN	NATURAL										
	WASHER	SS41	NOTE 2										
	CONTACT PIN	NOTE 5	NOTE 3										
	INSULATOR	NOTE 4	WHITE										
	BODY	NOTE 1	NOTE 2										
						DIMENSIONS ARE IN MILLIMETERS UNLESS OTHERWISE SPECIFIED TOLERANCES 0.5~6 = ±0.2 >6~30 = ±0.4 >30~120 = ±0.6 >120~315 = ±1 >315~1000 = ±1.6 ANGLES = ±5°				PART NO. RPTNCP-RPSMAJ		TerraWave Solutions TITLE RPTNC Plug to RPSMA Jack Adapter DRAWING NO. FILE NO.	
						APPROVED	DATE						
						CHECKED	DATE						
						DRAWN	DATE						