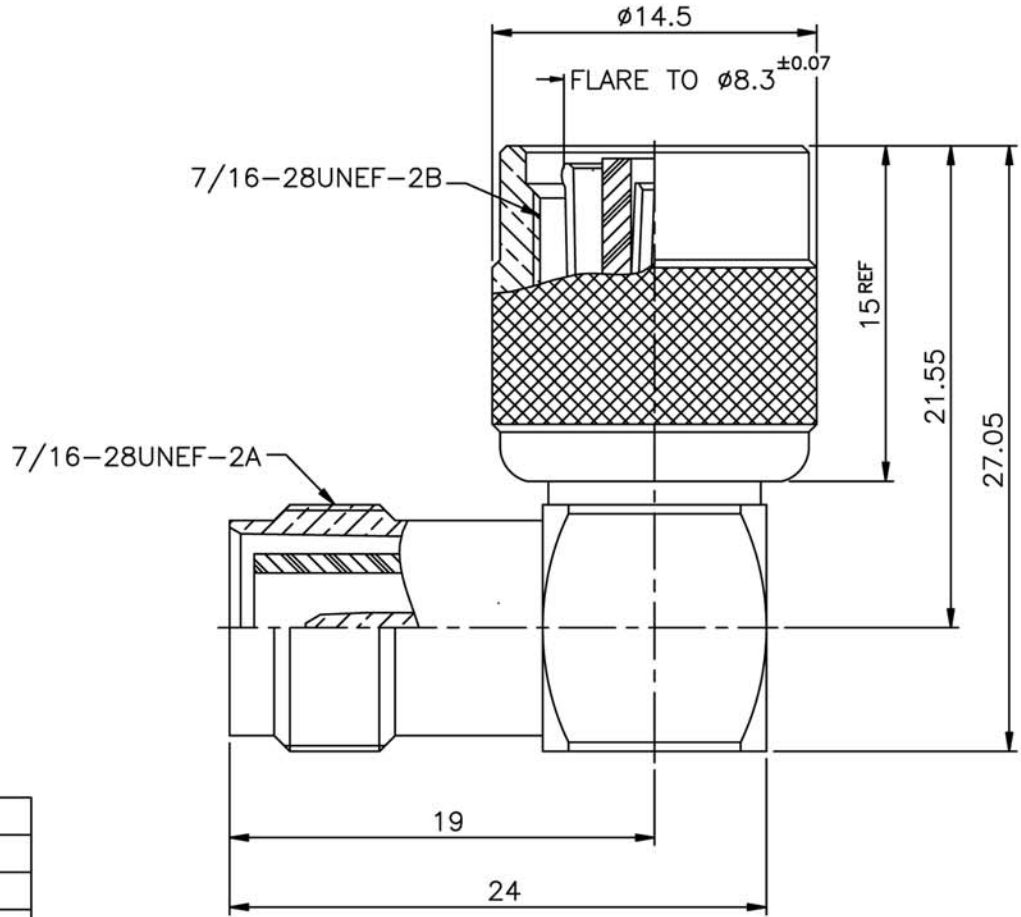


REVISIONS

ISS	SYMBOL	DESCRIPTION\DATE

FOR CUSTOMER

REMARK: RoHS COMPLIANT



NOTES: FINISH (PLATING THICKNESS IN MICRO-INCHES)

1. BRASS PER QQ-B-626
2. NICKEL PL 70 MIN THICK OVER COPPER STRIKE
3. GOLD PL 3 MIN OVER NICKEL PL 70 MIN THICK OVER COPPER STRIKE
4. TEFLON MIL-P-19468
5. PHOSPHOR BRONZE PER QQ-B-750

COVER	NOTE 1	NOTE 2			
SHELL	NOTE 1	NOTE 2			
GASKET	SILICONE	RED			
C RING	SS41	NOTE 2			
WASHER	DELFIN	NATURAL			
WASHER	SS41	NOTE 2			
CONTACT PIN	NOTE 5	NOTE 3			
INSULATOR	NOTE 4	WHITE			
BODY	NOTE 1	NOTE 2			
LOCK RING	NOTE 1	NOTE 2			
CONTACT PIN	NOTE 1	NOTE 3			
INSULATOR	NOTE 4	WHITE			
CUBE BODY	NOTE 1	NOTE 2			
NO.	DESCRIPTION	MATERIAL	FINISH	Q'TY	DRAWING NO.

DIMENSIONS ARE IN MILLIMETERS			
UNLESS OTHERWISE SPECIFIED TOLERANCES			
0.5~6	=	±0.2	
>6~30	=	±0.4	
>30~120	=	±0.6	
>120~315	=	±1	
>315~1000	=	±1.6	
ANGLES	=	±5°	
SCALE	3/1	ISSUE	A1

PART NO.	
RARPTNCJ-RPTNCP	
APPROVED	DATE
CHECKED	DATE
DRAWN	DATE

TerraWave Solutions	
TITLE	
Right Angle RPTNC Jack to RPTNC Plug Adapter	
DRAWING NO.	
FILE NO.	