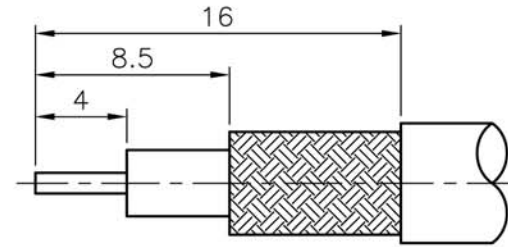


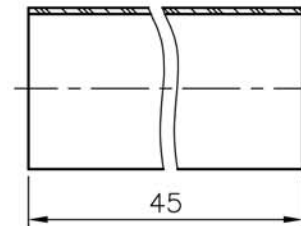
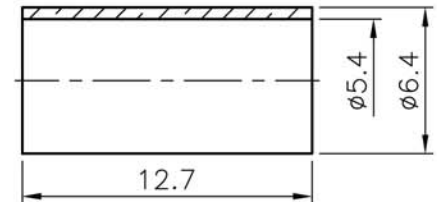
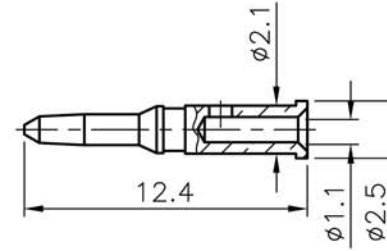
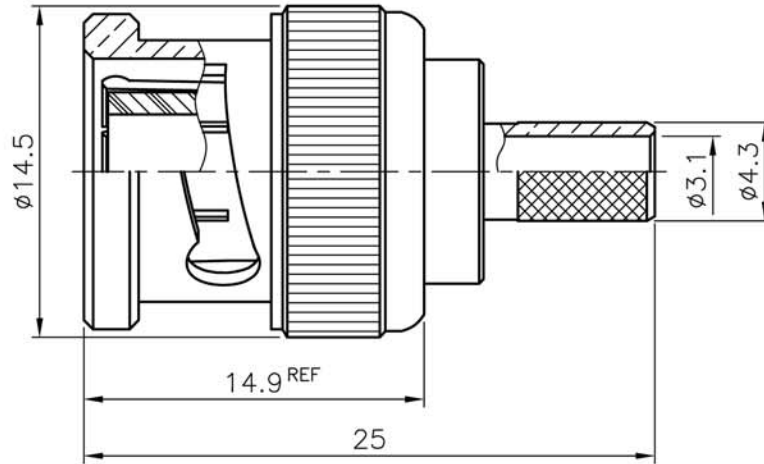
REVISIONS		DESCRIPTION\DATE
ISS	SYMBOL	

REMARK: RoHS COMPLIANT

FOR CUSTOMER



RECOMMENDED
CABLE STRIPPING DIM'S



NOTES: FINISH (PLATING THICKNESS IN MICRO-INCHES)

1. BRASS PER QQ-B-626
2. NICKEL PL 70 MIN THICK OVER COPPER STRIKE
3. GOLD PL 3 MIN OVER NICKEL PL 70 MIN THICK OVER COPPER STRIKE
4. TEFLON MIL-P-19468
5. BRASS JIS H 3250, C 2700

1. CRIMPED FERRULE
HEX CRIMP SIZE .213" (5.41mm)

2. CRIMPED CONTACT PIN
HEX CRIMP SIZE .068" (1.72mm)

NO.	DESCRIPTION	MATERIAL	FINISH	Q'TY	DRAWING NO.
	HEAT SHRINK TUBE	PE	BLACK		
	FERRULE	NOTE 5	NOTE 2		
	CONTACT PIN	NOTE 1	NOTE 3		
	SHELL	NOTE 1	NOTE 2		
	GASKET	SILICONE	RED		
	C RING	SS41	NOTE 2		
	SPRING	SK5	NOTE 2		
	WASHER	SS41	NOTE 2		
	INSULATOR	NOTE 4	WHITE		
	BODY	NOTE 1	NOTE 2		

DIMENSIONS ARE IN MILLIMETERS				
UNLESS OTHERWISE SPECIFIED TOLERANCES				
0.5~6	=	±0.2		
>6~30	=	±0.4		
>30~120	=	±0.6		
>120~315	=	±1		
>315~1000	=	±1.6		
ANGLES	=	±5°		

PART NO.	
CON-12-195	
APPROVED	DATE
CHECKED	DATE
DRAWN	DATE

TerraWave Solutions	
TITLE	
BNC Plug for TWS- 195 Cable	
DRAWING NO.	
FILE NO.	