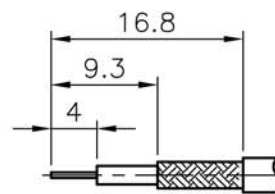


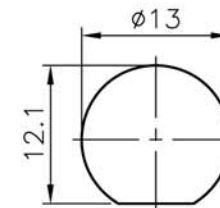
REVISIONS		
ISS	SYMBOL	DESCRIPTION\DATE
A1		

REMARK: RoHS COMPLIANT

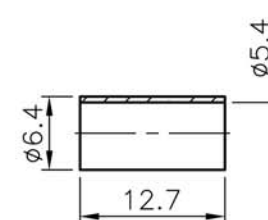
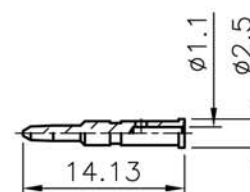
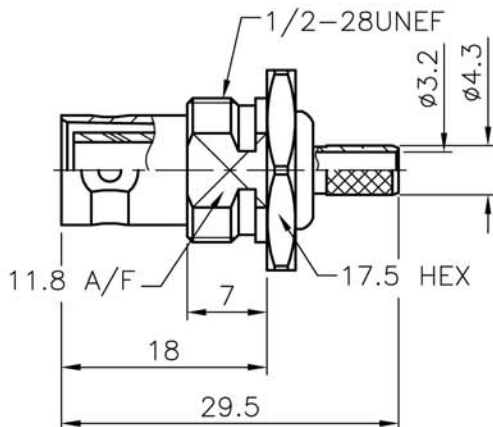
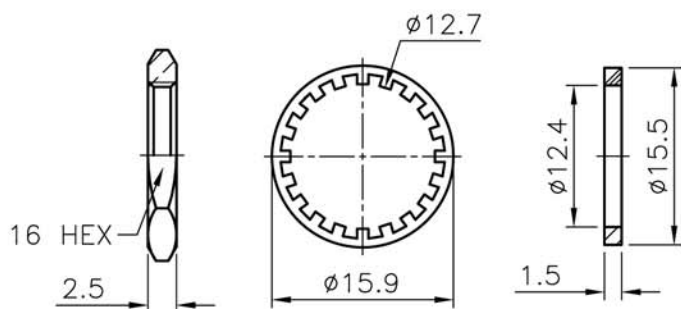
FOR CUSTOMER



RECOMMENDED CABLE STRIPPING DIM'S



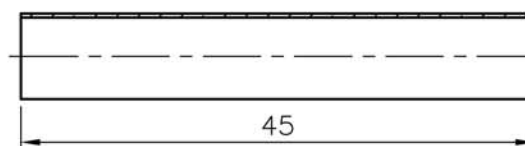
RECOMMENDED MOUNTING HOLE



NOTES: FINISH (PLATING THICKNESS IN MICRO-INCHES)

1. BRASS PER QQ-B-626
2. NICKEL PL 70 MIN THICK OVER COPPER STRIKE
3. GOLD PL 3 MIN OVER NICKEL PL 70 MIN THICK OVER COPPER STRIKE
4. TEFLON MIL-P-19468
5. BRASS JIS H 3250, C 2700

1. CRIMPED FERRULE
HEX CRIMP SIZE .213" (5.41mm)
2. CRIMPED CONTACT PIN
HEX CRIMP SIZE .068" (1.72mm)
3. MAX. PANEL THICKNESS=3.5mm



NO.	DESCRIPTION	MATERIAL	FINISH	Q'TY	DRAWING NO.
	HEAT SHRINK TUBE		BLACK		
	NUT	NOTE 1	NOTE 2		
	WASHER	SS41	NOTE 2		
	GASKET	RUBBER	ORANGE		
	FERRULE	NOTE 5	NOTE 2		
	CONTACT PIN	NOTE 1	NOTE 3		
	BRAID HOLDER	NOTE 1	NOTE 2		
	INSULATOR	NOTE 4	WHITE		
	BODY	NOTE 1	NOTE 2		

DIMENSIONS ARE IN MILLIMETERS			
UNLESS OTHERWISE SPECIFIED TOLERANCES			
0.5~6	=	±0.2	
>6~30	=	±0.4	
>30~120	=	±0.6	
>120~315	=	±1	
>315~1000	=	±1.6	
ANGLES = ±5°			
SCALE	1.5/1	ISSUE	A1

PART NO.	
CON-15-195	
APPROVED	DATE
CHECKED	DATE
DRAWN	DATE

TerraWave Solutions	
TITLE	RPBNC Bulkhead Jack for TWS-195 Cable
DRAWING NO.	
FILE NO.	