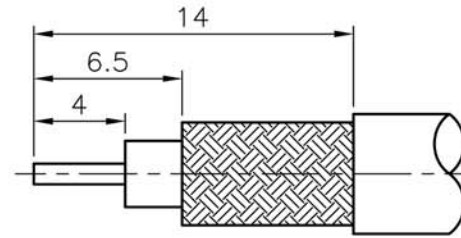


REVISIONS		DESCRIPTION\DATE
ISS	SYMBOL	

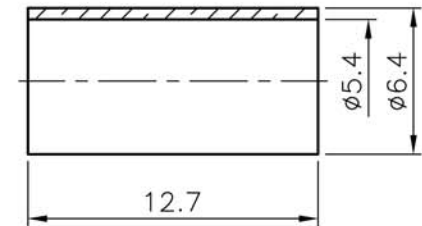
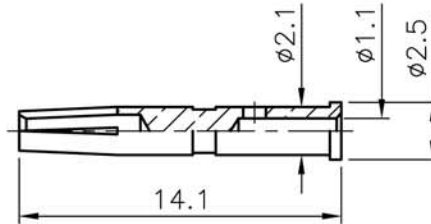
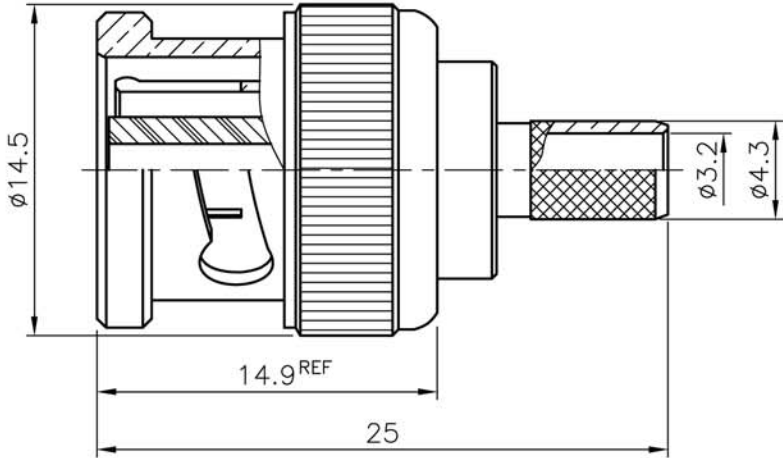
REMARK: RoHS COMPLIANT



FOR CUSTOMER

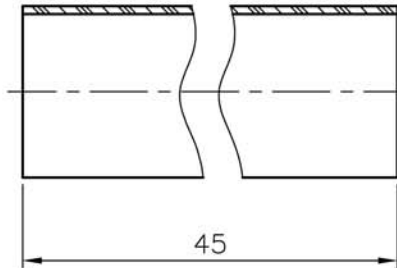


RECOMMENDED
CABLE STRIPPING DIM'S



NOTES: FINISH (PLATING THICKNESS IN MICRO-INCHES)

1. BRASS PER QQ-B-626
2. NICKEL PL 70 MIN THICK OVER COPPER STRIKE
3. GOLD PL 3 MIN OVER NICKEL PL 70 MIN THICK OVER COPPER STRIKE
4. TEFLON MIL-P-19468
5. BRASS JIS H 3250, C 2700
6. PHOSPHOR BRONZE PER QQ-B-750



1. CRIMPED FERRULE
HEX CRIMP SIZE .213" (5.41mm)
2. CRIMPED CONTACT PIN
HEX CRIMP SIZE .068" (1.72mm)

NO.	DESCRIPTION	MATERIAL	FINISH	Q'TY	DRAWING NO.
	HEAT SHRINK TUBE		BLACK		
	FERRULE	NOTE 5	NOTE 2		
	CONTACT PIN	NOTE 6	NOTE 3		
	SHELL	NOTE 1	NOTE 2		
	GASKET	SILICONE	RED		
	C RING	SS41	NOTE 2		
	SPRING	SK5	NOTE 2		
	WASHER	SS41	NOTE 2		
	INSULATOR	NOTE 4	WHITE		
	BODY	NOTE 1	NOTE 2		

DIMENSIONS ARE IN MILLIMETERS				PART NO. CON-14-195	
UNLESS OTHERWISE SPECIFIED TOLERANCES				APPROVED	DATE
0.5~6 = ±0.2				CHECKED	DATE
>6~30 = ±0.4				DRAWN	DATE
>30~120 = ±0.6					
>120~315 = ±1					
>315~1000 = ±1.6					
ANGLES = ±5°					
SCALE	3/1	ISSUE	A1		

TerraWave Solutions	
TITLE	RPBNC Plug for TWS-195 Cable
DRAWING NO.	
FILE NO.	