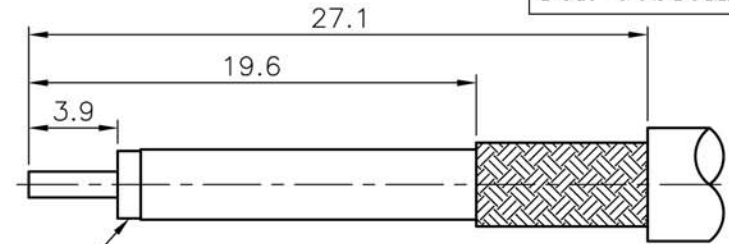


REVISIONS		
ISS	SYMBOL	DESCRIPTION\DATE

REMARK: RoHS COMPLIANT

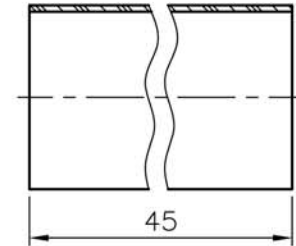
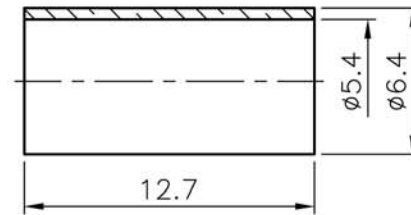
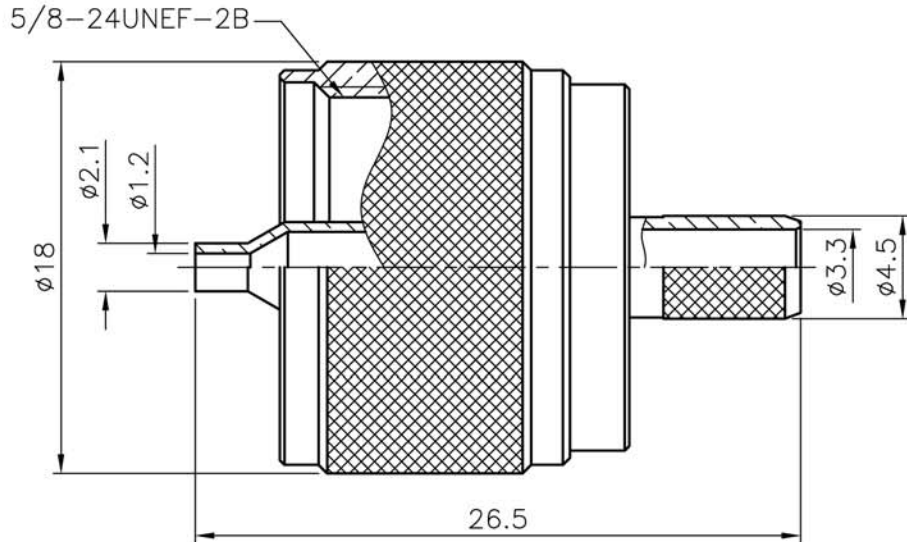


FOR CUSTOMER



REMOVE FOIL 1mm MIN.

RECOMMENDED  
CABLE STRIPPING DIM'S



NOTES: FINISH (PLATING THICKNESS IN MICRO-INCHES)

1. BRASS PER QQ-B-626
2. NICKEL PL 70 MIN THICK OVER COPPER STRIKE
3. GOLD PL 3 MIN OVER NICKEL PL 70 MIN THICK OVER COPPER STRIKE
4. BRASS JIS H 3250, C 2700

1. CRIMPED FERRULE  
HEX CRIMP SIZE .213" (5.41mm)

2. CRIMPED CONTACT PIN  
HEX CRIMP SIZE .068" (1.72mm)

HEAT SHRINK TUBE		BLACK		DIMENSIONS ARE IN MILLIMETERS					PART NO.		TerraWave Solutions		
FERRULE		NOTE 4	NOTE 2	UNLESS OTHERWISE SPECIFIED TOLERANCES					CON-35-200				
SHELL		NOTE 1	NOTE 2	0.5~6 = ±0.2 >6~30 = ±0.4 >30~120 = ±0.6 >120~315 = ±1 >315~1000 = ±1.6 ANGLES = ±5°					APPROVED	DATE	TITLE		
C RING		NOTE 1	NOTE 2						CHECKED	DATE			DRAWING NO.
CONTACT PIN		NOTE 1	NOTE 3						DRAWN		DATE	FILE NO.	
INSULATOR		DELTRIN	WHITE										
BODY		NOTE 1	NOTE 2										
NO.	DESCRIPTION	MATERIAL	FINISH	Q'TY	DRAWING NO.	SCALE	3/1	ISSUE	A1				