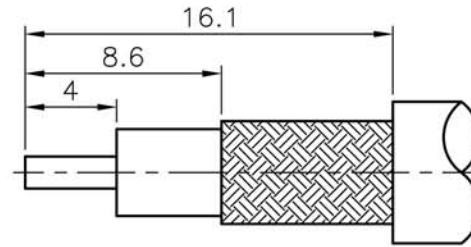


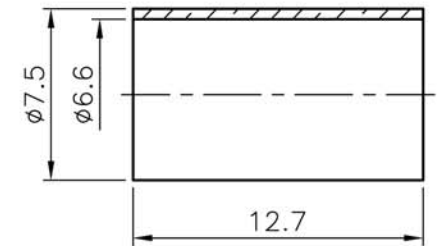
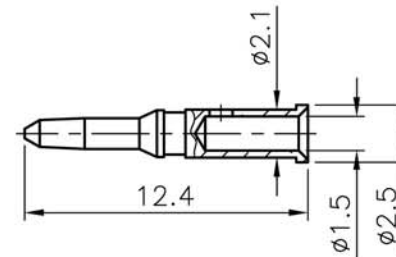
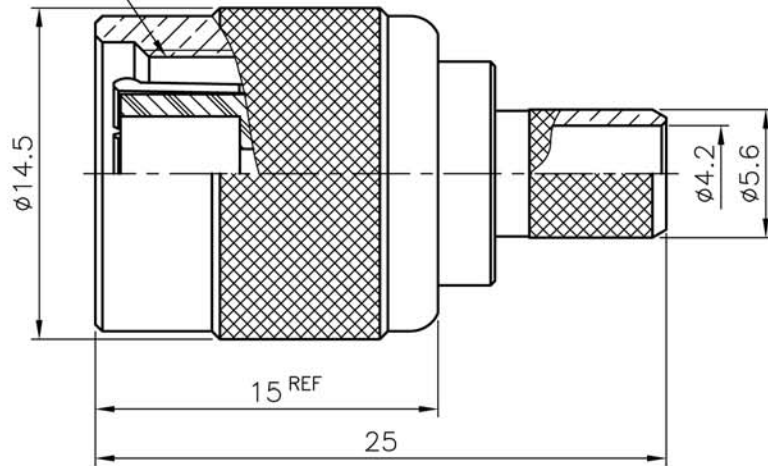
FOR CUSTOMER

REMARK: RoHS COMPLIANT



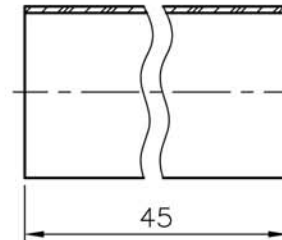
RECOMMENDED  
CABLE STRIPPING DIM'S

7/16-28UNEF-2B



NOTES: FINISH (PLATING THICKNESS IN MICRO-INCHES)

1. BRASS PER QQ-B-626
2. NICKEL PL 70 MIN THICK OVER COPPER STRIKE
3. GOLD PL 3 MIN OVER NICKEL PL 70 MIN THICK OVER COPPER STRIKE
4. TEFLON MIL-P-19468
5. BRASS JIS H 3250, C 2700



1. CRIMPED FERRULE  
HEX CRIMP SIZE .255" (6.48mm)

2. CRIMPED CONTACT PIN  
HEX CRIMP SIZE .068" (1.72mm)

NO.	DESCRIPTION	MATERIAL	FINISH	Q'TY	DRAWING NO.
	HEAT SHRINK TUBE		BLACK		
	FERRULE	NOTE 5	NOTE 2		
	CONTACT PIN	NOTE 1	NOTE 3		
	SHELL	NOTE 1	NOTE 2		
	GASKET	SILICONE	RED		
	C RING	SS41	NOTE 2		
	WASHER	DELTRIN	NATURAL		
	WASHER	SS41	NOTE 2		
	INSULATOR	NOTE 4	WHITE		
	BODY	NOTE 1	NOTE 2		

DIMENSIONS ARE IN MILLIMETERS			
UNLESS OTHERWISE SPECIFIED TOLERANCES (一般公差)			
0.5~6	=	±0.2	
>6~30	=	±0.4	
>30~120	=	±0.6	
>120~315	=	±1	
>315~1000	=	±1.6	
ANGLES(角度) = ±5°			
SCALE	3/1	ISSUE	A1

PART NO.		CON-05-240	
APPROVED	DATE		
CHECKED	DATE		
DRAWN	DATE		

TerraWave Solutions	
TITLE	TNC Plug for TWS-240 Cable
DRAWING NO.	
FILE NO.	