

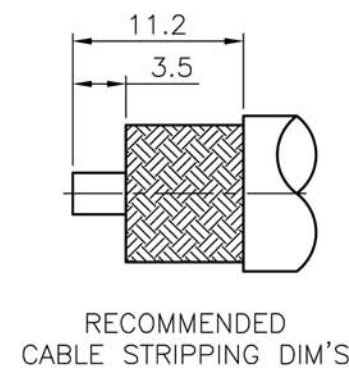
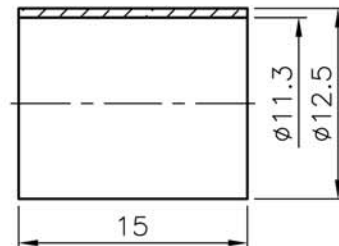
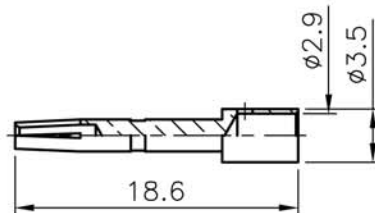
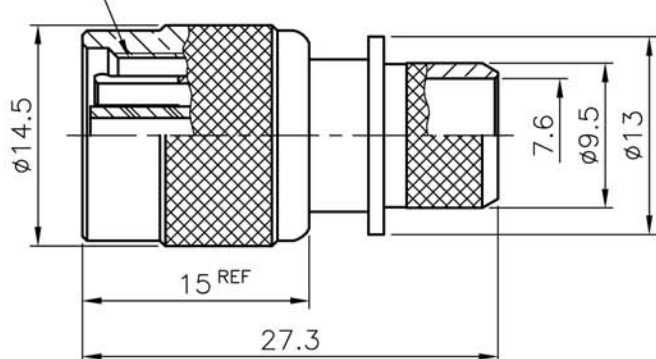
| REVISIONS |        | DESCRIPTION\DATE |
|-----------|--------|------------------|
| ISS       | SYMBOL |                  |

REMARK: RoHS COMPLIANT

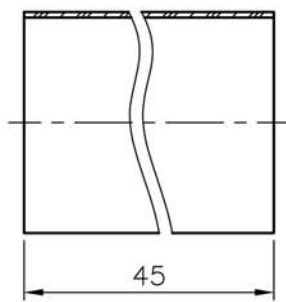
FOR CUSTOMER



7/16-28UNEF-2B



- NOTES: FINISH (PLATING THICKNESS IN MICRO-INCHES)
1. BRASS PER QQ-B-626
  2. NICKEL PL 70 MIN THICK OVER COPPER STRIKE
  3. GOLD PL 3 MIN OVER NICKEL PL 70 MIN THICK OVER COPPER STRIKE
  4. TEFLON MIL-P-19468
  5. PHOSPHOR BRONZE PER QQ-B-750
  6. BRASS JIS H 3250, C 2700



1. CRIMPED FERRULE  
HEX CRIMP SIZE .429" (10.9mm)
2. CRIMPED CONTACT PIN  
HEX CRIMP SIZE .118" (3mm) OR SOLDER

| NO. | DESCRIPTION      | MATERIAL | FINISH  | Q'TY | DRAWING NO. |
|-----|------------------|----------|---------|------|-------------|
|     | HEAT SHRINK TUBE |          | BLACK   |      |             |
|     | FERRULE          | NOTE 6   | NOTE 2  |      |             |
|     | CONTACT PIN      | NOTE 5   | NOTE 3  |      |             |
|     | SHEEL            | NOTE 1   | NOTE 2  |      |             |
|     | GASKET           | SILICONE | RED     |      |             |
|     | C RING           | SS41     | NOTE 2  |      |             |
|     | WASHER           | DELTRIN  | NATURAL |      |             |
|     | WASHER           | SS41     | NOTE 2  |      |             |
|     | INSULATOR        | NOTE 4   | WHITE   |      |             |
|     | BODY             | NOTE 1   | NOTE 2  |      |             |

|                                       |     |       |    |            |      |
|---------------------------------------|-----|-------|----|------------|------|
| DIMENSIONS ARE IN MILLIMETERS         |     |       |    | PART NO.   |      |
| UNLESS OTHERWISE SPECIFIED TOLERANCES |     |       |    | CON-02-400 |      |
| 0.5~6 = ±0.2                          |     |       |    | APPROVED   | DATE |
| >6~30 = ±0.4                          |     |       |    | CHECKED    | DATE |
| >30~120 = ±0.6                        |     |       |    | DRAWN      | DATE |
| >120~315 = ±1                         |     |       |    |            |      |
| >315~1000 = ±1.6                      |     |       |    |            |      |
| ANGLES = ±5°                          |     |       |    |            |      |
| SCALE                                 | 2/1 | ISSUE | A1 |            |      |

|                     |                              |
|---------------------|------------------------------|
| TerraWave Solutions |                              |
| TITLE               | RPTNC Plug for TWS-400 Cable |
| DRAWING NO.         |                              |
| FILE NO.            |                              |