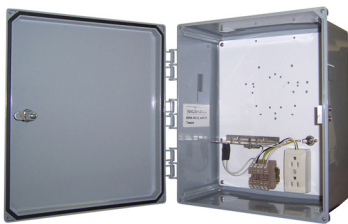


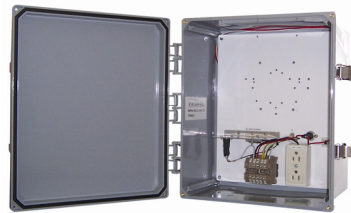
## TerraWave Solutions® 14x12x6 Heated/Cooled Polycarbonate Enclosures

TerraWave's NEMA 3R rated polycarbonate heated and cooled enclosure is designed to protect wireless LAN (WLAN) products from environmental threats such as heat, cold, dust and rain as well as theft and tampering. This affordable solution makes it easy to mount and protect wireless products even in harsh environments. Wi-Fi enclosures are used in nearly all vertical markets where the protection and enhancement of a wireless network is crucial.

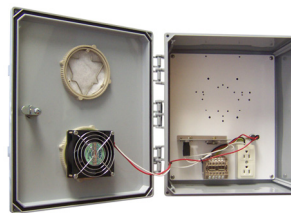
These rugged enclosures are extremely affordable and are the lightest weight enclosure solution TerraWave offers. Every TerraWave heated and cooled enclosure is covered by the Company's one-year TerraNet warranty program. For questions and to purchase product, contact a wireless networking solutions sales engineer at 210-375-8482, 800-851-4965 or sales@terrawave.com. Visit [www.terrawave.com](http://www.terrawave.com) for additional information.



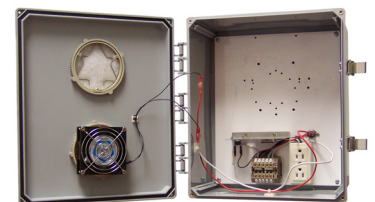
14x12x6 Heated Polycarbonate Enclosure with Solid Cover and Key Lock



14x12x6 Heated Polycarbonate Enclosure with Solid Cover and Locking Latches



14x12x6 Heated & Cooled Polycarbonate Enclosure with Solid Cover and Key Lock



14x12x6 Heated & Cooled Polycarbonate Enclosure with Clear Cover and Locking Latches

### Features and Benefits

- Enclosure houses a pre-set thermostat
- Fan turns on at 35°C (95°F) and turns off at 30°C (86°F)
- Heater turns on at 10°C (50°F) and turns off at 20°C (68°F)
- Power consumption of Fan: ~0.1 amp
- Power consumption of Heater: ~0.05 amp
- The 50-Watt heater requires 120 VAC
- Equipped with vents with filters that can be serviced in the field
- Protects RF equipment from elements, theft and tampering
- Supports all major wireless vendors, such as Cisco, Motorola, Aruba, Meru, Trapeze and others
- Can be mounted indoors or outdoors to provide NEMA 3R protection
- Furnished hardware kit includes panel mounting screws and grounding hardware
- Additional accessories are available
- Includes standard universal mounting plate, pre-drilled holes for jumpers/bulkhead extenders and strain relief
- All TerraWave polycarbonate enclosures are RoHS compliant

### Enclosure Construction

- Constructed of thermoplastic material
- UL Listed

### Finish

- Color is light gray with a gloss finish

### Available Options

#### Temp. Control:

- Fan
- Heater
- Vents

#### Door:

- Clear
- Solid

#### Locking Mechanism:

- CAT60 Lock
- Locking Latches

#### Bulkhead Antenna Holes

- None
- 2
- 4
- 6

#### Bulkhead Antenna Hole Sizes

- 1/2" (RPTNC)
- 1/4" (RPSMA)

### Available Accessories

- Additional Power Receptacle
- Pole Mount Kit
- Wall Mount Kit
- Custom Jumpers
- NEMA Plug
- Lightning Protection
- Replacement Keys



TerraWave's polycarbonate enclosures have been evaluated for compliance with the Reduction of Hazardous Substances (RoHS) Directive 2002/95 and have been determined to not contain substances in excess of RoHS Maximum Concentration Levels.

In addition to enclosures for wireless deployments, TerraWave can design custom enclosures for any application including IP cameras, switches, routers and more.

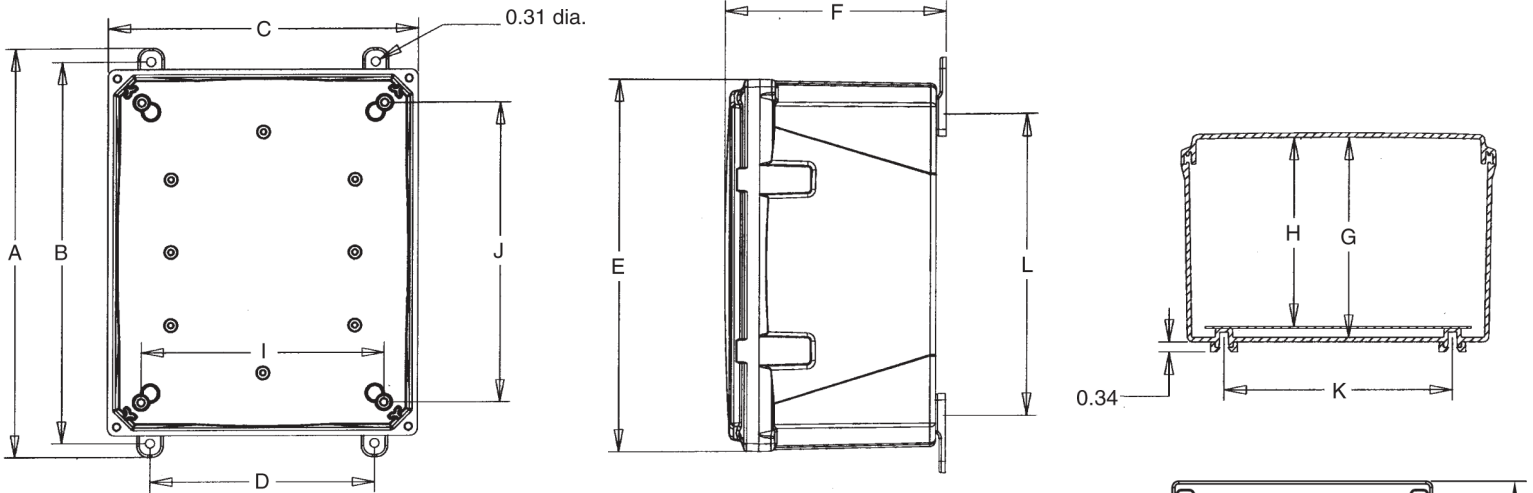
\*NEMA rating of enclosure only—before modifications and additions

\*\*All TerraWave enclosures have been modified to work in Wi-Fi/WLAN applications

Visit [www.tessco.com](http://www.tessco.com) for current prices and complete product offering.

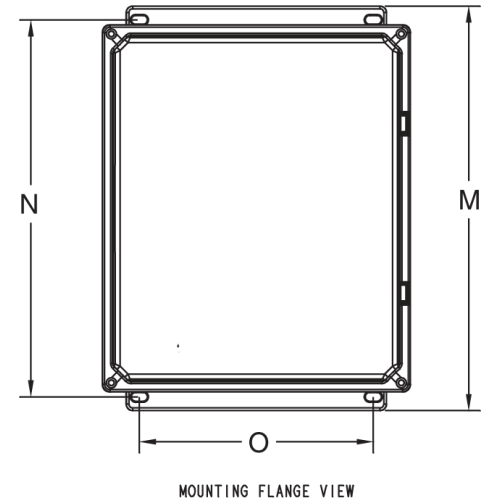
Version 2.0

## TerraWave Solutions® 14x12x6 Heated/Cooled Polycarbonate Enclosures



### Enclosure Dimensions

Enclosure Size	A	B	C	D	E
14" x 12" x 6"	15.75"	14.75"	13.50"	10.00"	14.58"
	F	G	H	I x J	K
	7.30"	6.75"	6.25"	10.25" x 12.25"	10.00"
	L	M	N	O	Panel Size
	11.25"	16.95"	16.01"	9.88"	12.75" x 10.88"



A: Overall Length with Mounting Feet  
 B: Mounting Feet Hole Spacing/Length  
 C: Overall Width  
 D: Mounting Feet Hole Spacing/Width  
 E: Overall Enclosure Length  
 F: Overall Enclosure Height  
 G: Internal Height

H: Internal Height Above Backplate  
 I: Internal Panel Mounting Boss Width  
 J: Internal Panel Mounting Boss Length  
 K: Mounting Feet Attachment Boss Width  
 L: Mounting Feet Attachment Boss Length  
 M: Overall Length with Mounting Flange  
 N: Mounting Flange Hole Spacing/Length  
 O: Mounting Flange Hole Spacing/Width



TerraWave's polycarbonate enclosures have been evaluated for compliance with the Reduction of Hazardous Substances (RoHS) Directive 2002/95 and have been determined to not contain substances in excess of RoHS Maximum Concentration Levels.

In addition to enclosures for wireless deployments, TerraWave can design custom enclosures for any application including IP cameras, switches, routers and more.

\*NEMA rating of enclosure only—before modifications and additions  
 \*\*All TerraWave enclosures have been modified to work in Wi-Fi/WLAN applications

Visit [www.tessco.com](http://www.tessco.com) for current prices and complete product offering.