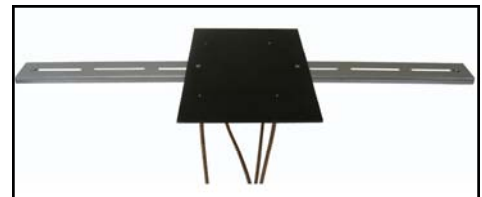




**TerraWave Solutions® 2.4/5 GHz 3 dBi Dual Band Above Ceiling Mount  
Diversity Omnidirectional Antenna with RPSMA Plug Connectors**

TerraWave’s quad antenna offers a four-in-one solution: two diversity antennas in a single unit. The antenna features two integrated 2.4 GHz 3 dBi elements and two 5 GHz 3 dBi elements arranged in a unit made from a Flame Retardant 4 (FR-4) rated material and plenum-rated UL94-V0 pigtailed, making it an excellent fire-resistant above ceiling tile mounted antenna for use in industries where aesthetics matter. This solution allows engineers to simplify deployments by using only one antenna for dual band access points. Includes above ceiling tile mounting bar. All TerraWave antennas are covered by the Company’s two-year TerraNet warranty program. Visit [www.terrawave.com](http://www.terrawave.com) for additional information.

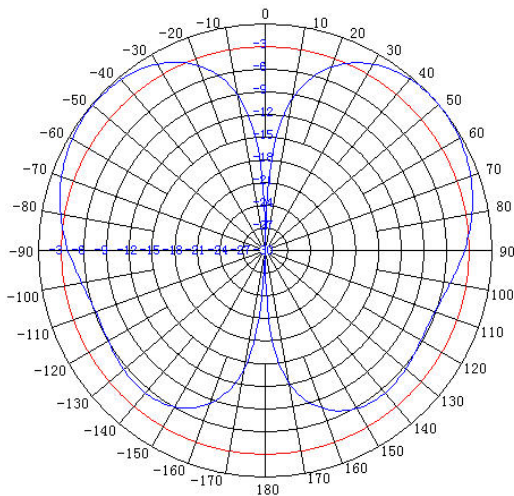
Specifications	
Model	M6030030O22420A
Frequency Range	2400 ~ 2500 / 5150 ~ 5850 MHz
Bandwidth	100 / 700 MHz
Gain	3 / 3 dBi
Vertical Beamwidth	60° / 70°
Horizontal Beamwidth	360°
VSWR	≤ 2.0
Nominal Impedance	50 Ohms
Polarization	Vertical
Max Power	50 Watts
Connector	RPSMA Plug
Dimensions	8.7" x 6.3" x 0.8"
Weight	1.9 lbs
Operating Temperature Range	-22°F to +158°F
Mounting Style	Above Ceiling Mount
Mounting Bar Dimensions	24" x 1.6" x 0.3"



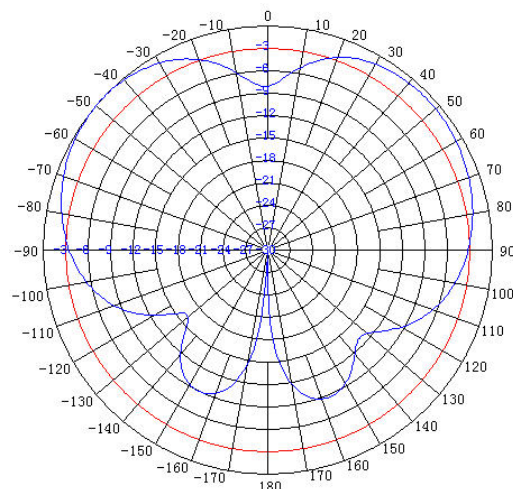
**Key Feature:**

TerraWave’s 2.4/5 GHz 3 dBi Dual Band Above Ceiling Mount Diversity Omni Antenna is made with:

- **Flame Retardant-4 (FR-4) Rated Material**
- **Plenum Rated UL94-V0 Pigtailed**



Vertical Radiation Pattern @ 2.4 GHz

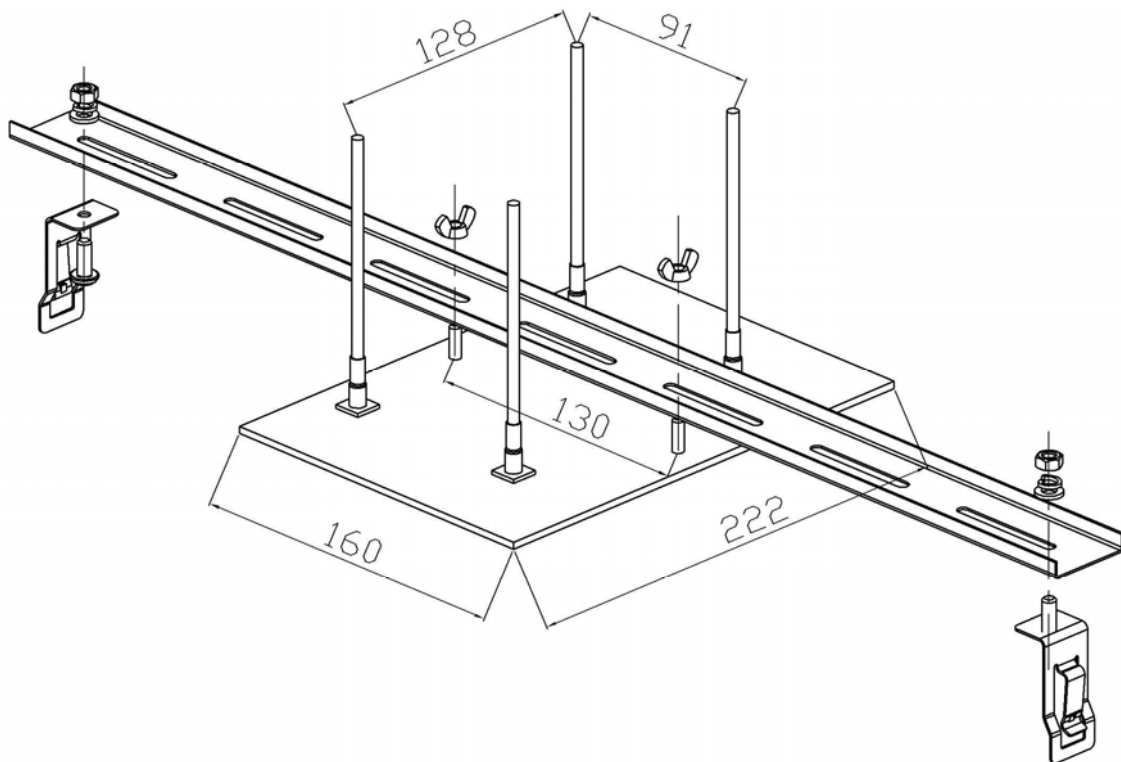


Vertical Radiation Pattern @ 5 GHz



**TerraWave Solutions® 2.4/5 GHz 3 dBi Dual Band Above Ceiling Mount  
Diversity Omnidirectional Antenna with RPSMA Plug Connectors**

**Mounting Bracket Information for M6030030O22420A**



*Note: All measurements are in centimeters.*