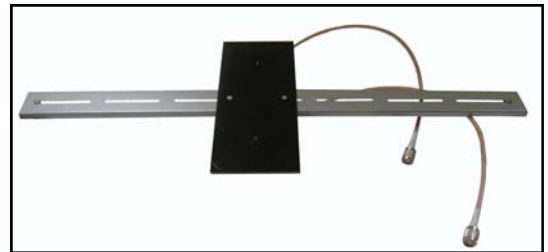




**TerraWave Solutions® 2.4 GHz 3 dBi Above Ceiling Mount
Diversity Omnidirectional Antenna with RPSMA Plug Connectors**

TerraWave’s above ceiling mounted spatial diversity antenna offers two 2.4 GHz 3 dBi omnidirectional antennas in a single unit. It consists of a high-performance circuit design, Flame Retardant 4 (FR-4) rated material and plenum-rated UL94-V0 pigtailed, making it an excellent fire-resistant above ceiling tile mounted antenna for use in industries where aesthetics matter. This solution allows engineers to simplify deployments by using only one antenna for 2.4 GHz access points. Includes above ceiling tile mounting bar. All TerraWave antennas are covered by the Company’s two-year TerraNet warranty program. Visit www.terrawave.com for additional information.

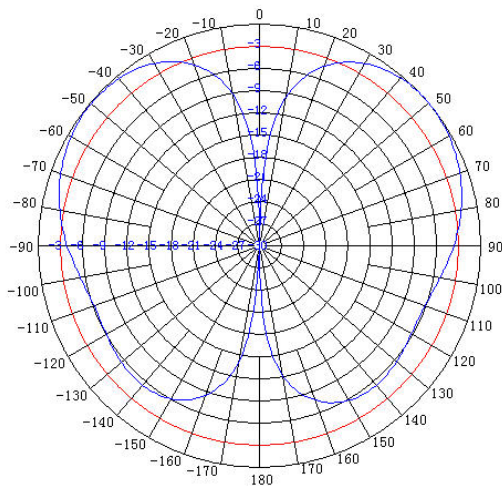
Specifications	
Model	T24030O22420A
Frequency Range	2400 ~ 2500 MHz
Bandwidth	100 MHz
Gain	3 dBi
Vertical Beamwidth	60°
Horizontal Beamwidth	360°
VSWR	≤ 2.0
Nominal Impedance	50 Ohms
Polarization	Vertical
Max Power	50 Watts
Connector	RPSMA Plug
Dimensions	8.7" x 3.7" x 1.2"
Weight	1.5 lbs
Operating Temperature Range	-22°F to +158°F
Mounting Style	Above Ceiling Mount
Mounting Bar Dimensions	24" x 1.6" x 0.3"



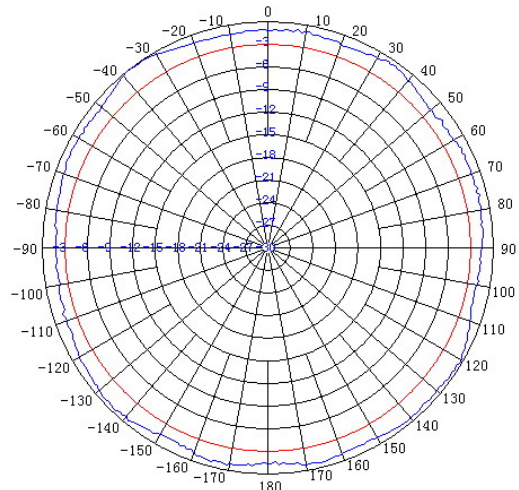
Key Feature:

TerraWave’s 2.4 GHz 3 dBi Above Ceiling Mount Diversity Omnidirectional Antenna is made with:

- **Flame Retardant-4 (FR-4) Rated Material**
- **Plenum Rated UL94-V0 Pigtailed**



Vertical Radiation Pattern

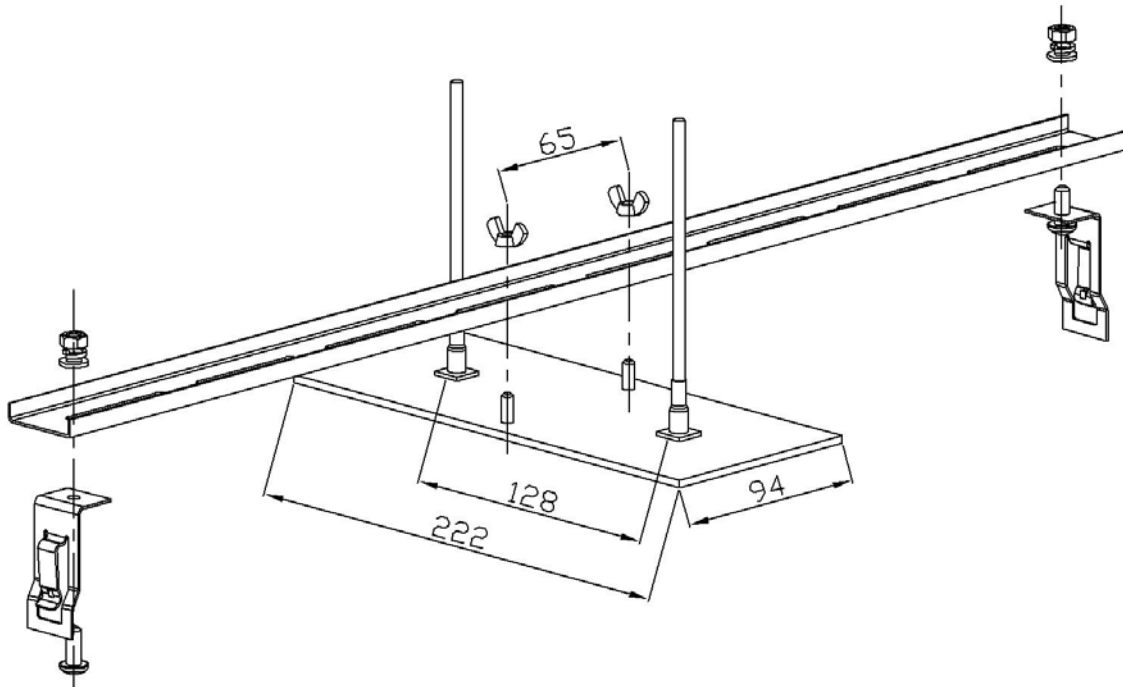


Horizontal Radiation Pattern



**TerraWave Solutions® 2.4 GHz 3 dBi Above Ceiling Mount
Diversity Omnidirectional Antenna with RPSMA Plug Connectors**

Mounting Bracket Information for T24030O22420A



Note: Measurements are in centimeters.