



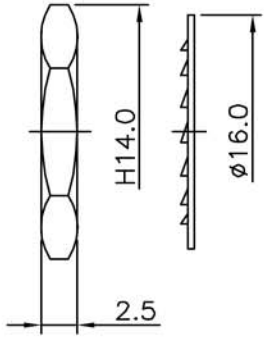
TerraWave Solutions® Lightning Arrestor With RPTNC Plug To RPTNC Bulkhead Jack 0-6 GHz

TerraWave's lightning suppressor is a gas discharge tube suppressor and features wide-band operation up to 6 GHz. Simply attach the lightning protector to an access point to help protect an entire network, outdoor antennas and other wireless equipment from the build-up of static electricity. Every TerraWave lightning arrestor is covered by the Company's one-year warranty program. Visit www.terrawave.com for additional information.

Specifications	
Model	TW-LP-RPTNC-P-BHJ
Frequency Range	DC 0-6 GHz
Insertion Loss	≤0.7 dB
VSWR	DC~6 GHz <1.5
Impedance	50 Ω
Connector	RPTNC Plug To RPTNC Bulkhead Jack
Operating Temperature Range	-40°F to 185°F
Dimensions (L x W x H)	0.9" x 2.7" x 1.1"
Insulation Resistance	≥2000 MΩ
DC Discharge Voltage	184-276 V (100 V/S)
Initial Impulse Wave Discharge Voltage	450-500 V (1KV/μs)
Rated Impulse Wave Discharge	20 KA (Wave 8/20 μs) 10 Times (5 Times Each Polarity)
Weight	0.21 lbs
Ground Connection	By Feedthrough or Screw Terminal

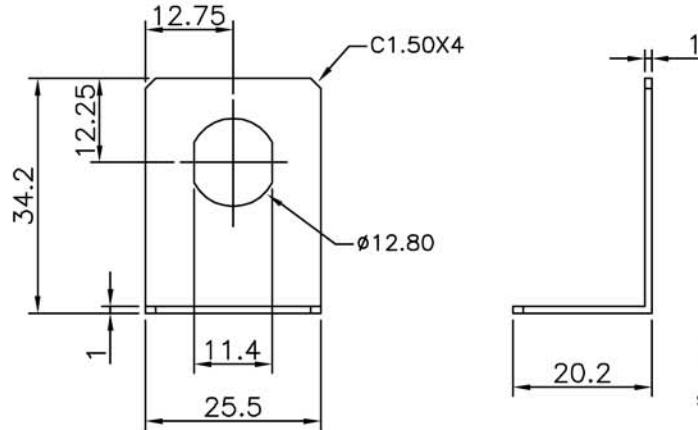
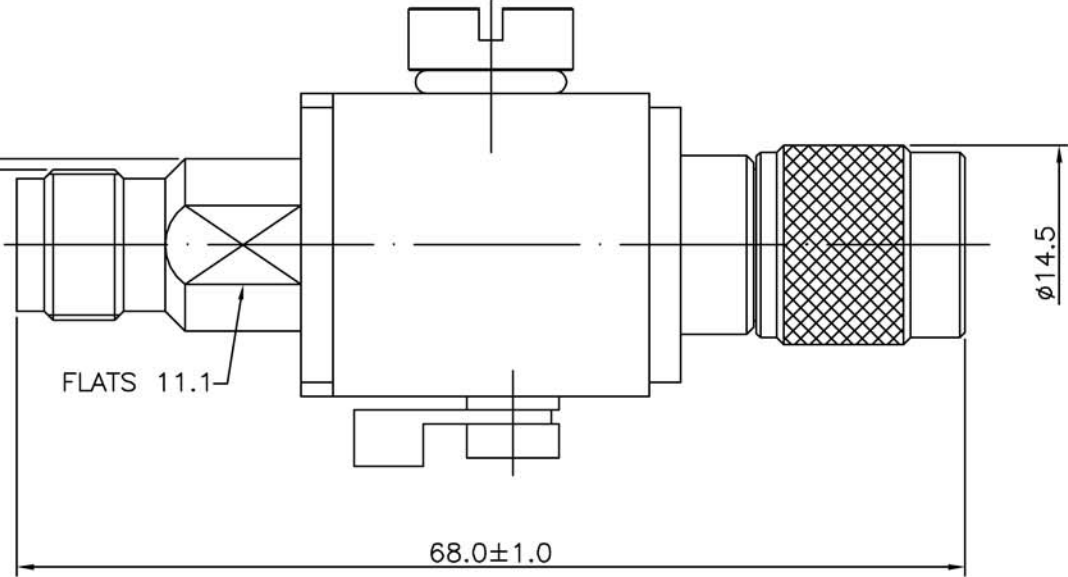


REVISION		
ISS	ZONE	DESCRIPTION



1/2-28UNEF

7/16-28UNEF



18	BODY	BRASS	NICKEL	1	
17	NUT	BRASS	NICKEL	1	
16	WASHER	BRASS	NICKEL	1	
15	WASHER	BRASS	NICKEL	1	
14	INSULATOR B	TEFLON	NONE	1	
13	PIN	BRASS	GOLD	1	
12	BODY	BRASS	NICKEL	1	
11	PIN	BRASS	GOLD	1	
10	GAS TUBE	NONE	NONE	1	
9	O-RING	SILICONE	NICKEL	1	
8	SPRING	STELL	NONE	1	
7	NUT	BRASS	NICKEL	1	
6	GASKET	RUBBER	NONE	2	
5	INSULATOR	TEFLON	NONE	2	
4	BODY	BRASS	NICKEL	1	
3	GASKET	RUBBER	NONE	1	
2	WASHER	BRASS	NICKEL	1	
1	NUT	BRASS	NICKEL	1	

TOLERANCES	
DIMENSIONS ARE IN MILLIMETER	
UNLESS OTHERWISE SPECIFIED	
.X	±0.2
.XX	±0.1
.XXX	±0.05
ANGLES	±5°

TITLE
RPTNC Plug to RPTNC Bulkhead Jack Lightning Protector
PART NO.
TW-LP-RPTNC-P-BHJ
DRAWN NO.

TerraWave Solutions	
APPROVED	DATE
CHECKED	DATE
DRAWN	DATE

NO.	DESCRIPTION	MATERIAL	FINISH	Q'TY	DRAWN NO.	SCALE	2/1	ISSUE	A-0	FILE PATH:
-----	-------------	----------	--------	------	-----------	-------	-----	-------	-----	------------

1 2 3 4 5 6 7 8